

Lerman Hip Abduction Rotation Orthosis (HARO) 2000

- Becker Orthopedic 294

Lerman Universal HARO

- Becker Orthopedic 294

Philippon Hip

- Bledsoe Brace™ 294

K.A.F. Positioning Kit

- Bledsoe Brace™ 295

Simple Pelvic

- Bledsoe Brace™ 295

HippoO

- Hope Orthopedic 296

Hip Orthosis Liner

- Knit-Rite® 296

California Hip Orthosis

- Orthomerica 297

Newport 3 Hip System

- Orthomerica 298-299

Newport 4 Hip System

- Orthomerica 299-300

Virtual V5 Hip Joint

- Orthomerica 300

Newport MC

- Orthomerica 301

Hip Abduction Orthosis

- RCAI® 301

Abduction Bar

- RCAI® 301

The Hip Stabilizer

- RCAI® 302

Stock Saver

- Sky Medical 302

Spring Truss with Inguinal Pad

- Truform® 303

Double Spring Truss

- Truform® 303

Orthoguard Hip Orthosis

- Trulife 303

Universal Hip Orthosis

- Trulife 304

**Becker Orthopedic - Lerman Hip Abduction
Rotation Orthosis (HARO) 2000™**

- Anterior pelvic section facilitates ease of donning
- Pelvic section eliminates pressure on the back and spine
- Hip joint allows control and adjustment of flexion/extension in 20° increments and abduction/adduction in 9° increments
- Innovative attachment of joint to pelvic and thigh modules allows rotational adjustment and accurate alignment
- Integral adhesion layers on the pelvic and thigh liners control rotation and prevent migration of the orthosis

Size	Waist Circumference	Product No.	
		Left	Right
Small	28"-32"	145-LS	145-RS
Medium	34"-38"	145-LM	145-RM
Large	40"-44"	145-LL	145-RL
X-Large	46"-50"	145-LXL	145-RXL
Plus Size	52"-56"	145-LPS	145-RPS



Lerman Universal HARO 2000™

- Utilizes a low profile pelvic section and a universal thigh section to facilitate ease of donning
- Universal thigh section can be fitted posteriorly or anteriorly to accommodate the patient's specific needs
- Hip joint allows control and adjustment of flexion/extension in 20° increments and abduction/adduction in 9° increments
- Innovative attachment of the joint provides rotational adjustment and accurate alignment in the transverse plane

Size	Waist Circumference	Product No.
Small/Medium	28"-38"	145-U-S-M
Large/X-Large	38"-48"	145-U-L-X
Plus Size	48"-58"	145-U-PS



Bledsoe Brace - Philippon Hip

- Designed to allow controlled hip flexion in 15° increments from -30° to 105°
- Lockable in any position from -30° to 60°
- Optional KAF Positioning Kit and Post Pad protects patients during and after hip surgery

Indications: Post-operative or post-injury protection following arthroscopic hip repairs, total hip revisions, or other hip joint surgeries; Injuries or problems that can benefit from range-of-motion control

Size	Fits Patient Heights	Product No.	
		Left	Right
Short	Less than 5'4"	AT090115	AT090215
Regular	5'4" and taller	AT090105	AT090205



K.A.F. Positioning Kit

- Designed for two protective functions during and after hip arthroscopic procedures
- During hip arthroscopy: Padded booties protect skin, feet and legs together while pulling traction on the legs
- After hip arthroscopy: Booties and knee bands hold feet and legs together to prevent hip rotation or abduction/adduction
- Kit includes Perineal Post Pad Kit

Indications: Designed to limit hip rotation, abduction or adduction following hip arthroscopy; Protection of the patient’s feet and ankles from high traction forces during arthroscopy

Product No. **AT092005**



Simple Pelvic

- Designed to allow controlled hip flexion in 15° increments from -30°
- Can be formed for slight abduction
- Pelvic attachment easily converts to HKAFO with Original Post-Op Knee and Hi-Top Boot

Indications: Post operative application following arthroscopic hip repairs, total hip revisions, or other hip joint surgeries; Injuries or problems that can benefit from range-of-motion control

Size	Iliac Crest Circum.	Thigh Circum.	Leg Length	Product No.	
				Left	Right
Small	38" max.	26" max.	22"-26"	AT013101BB	AT013201BB
Medium	45" max.	30" max.	26"-30"	AT013103BB	AT013203BB
Large	55" max.	34" max.	30"-34"	AT013105BB	AT013205BB



HIP ORTHOSES

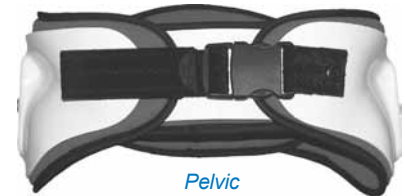
Hope Orthopedic - Hippo™

- Universal, left or right, male or female, low-profile, highly adjustable
- Bi-valve thigh cuff, adjustable to fit any shape thigh
- Joint provides easily adjustable abduction, flexion/extension (ROM)

Size	Waist Circum.	Hip Circum.	Mid-Thigh Circum.	Product No.
Small	22"-28"	26"-32"	15"-19"	HIPPO-SM
Medium	28"-34"	32"-38"	18"-22"	HIPPO-MD
Large	34"-40"	38"-44"	21"-25"	HIPPO-LG
X-Large	40"-46"	44"-50"	24"-28"	HIPPO-XL
2X-Large	46"-52"	50"-56"	24"-28"	HIPPO-XXL
3X-Large	52"-58"	56"-62"	27"-32"	HIPPO-XXXL



Hippo - Individual Components		
Size	Product No.	
	Pelvic Section	Thigh Section
Small	HIP-PEL-SM	HIP-THI-SM
Medium	HIP-PEL-MD	HIP-THI-MD
Large	HIP-PEL-LG	HIP-THI-LG
X-Large	HIP-PEL-XL	HIP-THI-XL
2X-Large	HIP-PEL-XXL	HIP-THI-XXL
3X-Large	HIP-PEL-XXXL	HIP-THI-XXXL



Description	Product No.
Hip Abduction Joint	HIP-JNT
Hip Joint Cover	HIP--JNT-CVR
Replacement Thigh Padding Sets	
Padding Set for Small Hippo	HIP-PAD-THI-SM
Padding Set for Medium Hippo	HIP-PAD-THI-MD
Padding Set for Large Hippo	HIP-PAD-THI-LG
Padding Set for X-Large Hippo	HIP-PAD-THI-XL
Padding Set for 2X-Large Hippo	HIP-PAD-THI-XXL
Padding Set for 3X-Large Hippo	HIP-PAD-THI-XXXL

Knit-Rite - Hip Orthosis Liner

- Acrylic/Lycra spandex stretch allows the longer leg to be positioned first and the garment to be extended and relaxed carefully over sensitive hip areas
- Wicking effect of the acrylic fiber tends to move moisture away from the skin surface
- Available in White; 1 ply
- Measurements: 12" x 34"

Product No. **4HL11234**



Orthomerica - California™ Hip Orthosis

- Universal pelvic, thigh and hip joint components reduce inventory
- Hip joint settings provide a strong flexion/extension stop with mild, adjustable adduction resistance
- Patient-adjustable abdominal compression
- Abduction wedge regulates hip joint clearance over the trochanter and incision site

Indications: Post-operative revision patients; Patients who have been non-compliant with rigid plastic orthoses, or who are cognitively unable to follow hip precautions; Patients with weak hip abductors who need a kinesthetic cue and positioning to prevent dislocation; Elderly patients who are confined to bed and at risk of dislocation



Size	Waist Circum.	Hip Circum.	Proximal Thigh Circ.	Distal Thigh Circ.	Product No.	
					Left	Right
Small	22"-28"	26"-32"	15"-21"	12"-17"	3960	3965
Medium	28"-34"	32"-38"	17"-24"	13"-18"	3961	3966
Large	34"-40"	38"-44"	19"-27"	14"-20"	3962	3967
X-Large	40"-46"	44"-50"	21"-29"	17"-23"	3963	3968

California Hip System - Pelvic Section Only

Size	Circumference		Product No.
	Waist	Hip	
Small	22"-28"	26"-32"	3970
Medium	28"-34"	32"-38"	3971
Large	34"-40"	38"-44"	3972
X-Large	40"-46"	44"-50"	3973

California Hip System - Thigh Section Only

Size	Thigh Circumference		Product No.
	Proximal	Distal	
Small	15"-21"	12"-17"	3976
Medium	17"-24"	13"-18"	3977
Large	19"-27"	14"-20"	3978
X-Large	21"-29"	17"-23"	3979

Newport® 3 Hip Orthosis

- Indicated for post-revision or selected primary total hip arthroplasty or non-operable hip disorders
- Virtual™ Hip Joint with abduction, adduction, flexion, extension adjustments
- Unisex pelvic component features male/female adjustability
- Single push click n/close fastener for simple donning and doffing

Size	Waist Circum.	Hip Circum.	Thigh Circum.		w/Assembled Side Specific Thigh Cuff		w/Universal Thigh Cuff
			Proximal	Distal	Left	Right	(sold unassembled)
Small	22"-28"	26"-32"	15"-21"	12"-17"	3640	3645	3640.40
Medium	28"-34"	32"-38"	17"-24"	13"-18"	3641	3646	3641.41
Large	34"-40"	38"-44"	19"-27"	14"-20"	3642	3647	3642.42
X-Large	40"-46"	44"-50"	21"-29"	17"-23"	3643	3648	3643.43



Newport 3 Pelvic Component

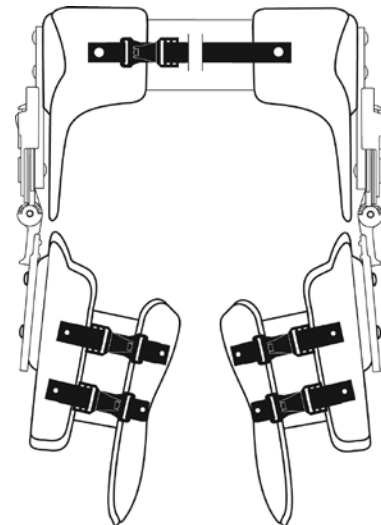
- Unisex pelvic component reduces inventory
- Male/Female adjustability; single-push Fixlock™ fastener for simple donning and doffing
- CoolFoam™ liner provided

Size	Circumference		Side Specific			Universal	
	Waist	Hip	Left	Right	Pads Only	Product No.	Pads Only
Small	22"-28"	26"-32"	3650	3655	3810.05	3650.01	3810.06
Medium	28"-34"	32"-38"	3651	3656	3811.05	3651.01	3811.06
Large	34"-40"	38"-44"	3652	3657	3812.05	3652.01	3812.06
X-Large	40"-46"	44"-50"	3653	3658	3813.05	3653.01	3813.06

Newport 3 Bi-Lateral Pelvic Components

- Adapted for bilateral application
- Two modular components, pre-drilled to accept hip joints
- Click'n close fastener is standard; chafe and loop also available
- CoolFoam™ liner provided

Size	Circumference		Product No.
	Waist	Hip	
Small	22"-28"	26"-32"	3850.02
Medium	28"-34"	32"-38"	3851.02
Large	34"-40"	38"-44"	3852.02
X-Large	40"-46"	44"-50"	3853.02



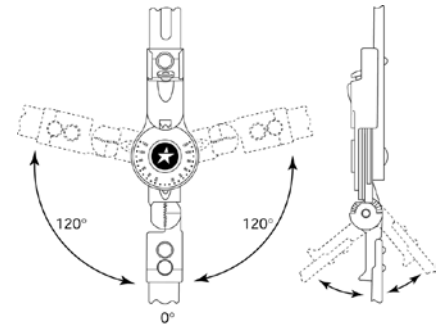
Newport 3 Thigh Component

- Click'n close fastener is standard
- CoolFoam™ liner provided

Size	Proximal Thigh	Distal Thigh	Side Specific				Universal	
			Left	Right	Left Pads	Right Pads	Product No.	Pads Only
X-Small	11"-17"	8"-13"	3769.05	3774.05	3819.05	3825.05	—	—
Small	15"-21"	12"-17"	3770.05	3775.05	3820.05	3826.05	3770.01	3820.04
Medium	17"-24"	13"-18"	3771.05	3776.05	3821.05	3827.05	3771.01	3821.04
Large	19"-27"	14"-20"	3772.05	3777.05	3822.05	3828.05	3772.01	3822.04
X-Large	21"-29"	17"-23"	3773.05	3778.05	3823.05	3829.05	3773.01	3823.04

Newport 3 Virtual Hip Joint

- The Newport 3 features the Virtual Hip Joint for total control of hip motion – abduction or adduction in 7.5° increments, and range-of-motion control from a maximum 120° flexion to 120° extension in 10° increments
- The Virtual™ Hip Joint may also be locked in any position throughout range of motion
- Uprights can be trimmed for shorter patients

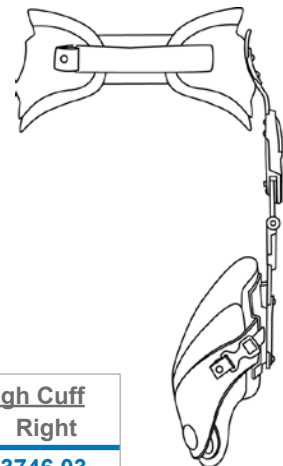


Size	Product No.
Universal	4262.05
Extended	4264.05

Newport® 4 Hip Orthosis

- Patented offset adjustment limits contact with incision site
- Low profile design improves compliance
- Padded posterior section enhances lordotic fit and patient comfort
- No proximal/medial plastic on thigh components to interfere with hygiene
- Clamping Disk adjustment on thigh component accommodates varying shapes and sizes

Indications: Post-hip revision patients; Primary arthroplasty patients at risk to dislocate; As a prophylaxis to reinforce hip precautions; Inoperable patients at risk



Size	Waist Circum.	Hip Circum.	Mid-Thigh Circum.	Side Specific Thigh Cuff		Universal Thigh Cuff	
				Left	Right	Left	Right
Small	22"-28"	26"-32"	13"-19"	3742	3746	3742.03	3746.03
Medium	28"-34"	32"-38"	15"-21"	3743	3747	3743.03	3747.03
Large	34"-40"	38"-44"	17"-24"	3744	3748	3744.03	3748.03
X-Large	40"-46"	44"-50"	19"-26"	3745	3749	3745.03	3749.03

Standard bar length accommodates 14"-17" hip center to knee center length. Longer bar option available

Newport 4 Pelvic Component

- Universal pelvic design fits right and left to reduce inventory
- Patented clamping technology on pelvic band adjusts to male or female anatomy and a wide range of circumferences



Size	Circumference		Product No.	Replacement Pads
	Waist	Hip		
Small	22"-28"	26"-32"	3870	3810.02
Medium	28"-34"	32"-38"	3871	3811.02
Large	34"-40"	38"-44"	3872	3812.02
X-Large	40"-46"	44"-50"	3873	3813.02

Newport 4 Thigh Component

- No proximal/medial plastic on thigh component to interfere with hygiene
- Thigh component design adjusts with clamping disk to accommodate varying shapes and to prevent knee flexion impingement



Size	Proximal Thigh	Distal Thigh	Side Specific				Universal	
			Left	Right	Left Pads	Right Pads	Product No.	Pads Only
Small	15"-21"	12"-17"	3770.06	3775.06	3820.02	3825.02	3770.01	3820.04
Medium	17"-24"	13"-18"	3771.06	3776.06	3821.02	3826.02	3771.01	3821.04
Large	19"-27"	14"-20"	3772.06	3777.06	3822.02	3827.02	3772.01	3822.04
X-Large	21"-29"	17"-23"	3773.06	3778.06	3823.02	3828.02	3773.01	3823.04

Virtual V5 Hip Joint

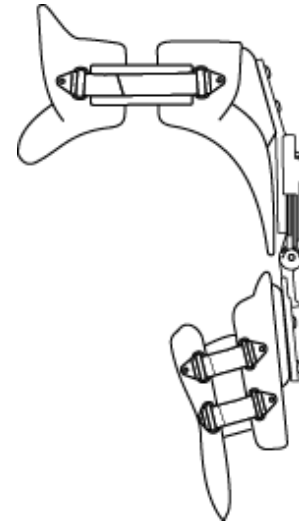
- Available in standard and extended curved proximal bars
- Available in 2, 3 and 4 slot distal bars for optimal placement of the thigh component
- Fits patient heights including those less than 5' 2" and over 6' tall



Proximal Bar	Distal Bar	Newport Version	Product No.
Standard Curved	2 slot	Newport 4	4320
Standard Curved	3 slot	Newport 4	4321
Standard Curved	4 slot	Newport 4	4322
Standard Straight	Extended 3 slot	Newport 3	4326
Standard Straight	Extended 4 slot	Newport 3	4327

Newport MC

- Designed for more involved post-operative hip patients
- Effective for patients prone to chronic dislocation due to involved total hip revision
- Comfortable, positive control of abduction, flexion, extension
- Unique locking feature to keep pelvic section level



Size	Circumference		Product No.	
	Waist	Hip	Left	Right
Small	25"-29"	32"-36"	3790	3795
Medium	29"-33"	36"-40"	3791	3796
Large	33"-37"	40"-44"	3792	3797
X-Large	37"-41"	44"-48"	3793	3798

RCAI - Hip Abduction Orthosis

- Provides stabilization for patients prone to chronic dislocation due to involved post-op hip revision
- Flexion/extension ROM control from 0° to 120° in 10° stop settings
- Abduction-adduction adjustments from 0° to 45° in 5° increments
- Vertical adjustability at hip or thigh
- Circumferential hip adjustment with padded pivotal back tilt



Size	Circumference		Product No.		
	Hip	Max. Thigh	Left	Right	Bilateral
Toddler	16"-19"	11"	76HAO-T-L	76HAO-T-R	76BHAO-T
Child	19"-22"	14"	76HAO-C-L	76HAO-C-R	76BHAO-C
Youth	22"-25"	17"	76HAO-Y-L	76HAO-Y-R	76BHAO-Y
X-Small	23"-29"	18"	76HAO-ES-L	76HAO-ES-R	76BHAO-ES
Small	28"-34"	21"	76HAO-S-L	76HAO-S-R	76BHAO-S
Medium	32"-39"	23"	76HAO-M-L	76HAO-M-R	76BHAO-M
Large	38"-44"	26 ¹ / ₂ "	76HAO-L-L	76HAO-L-R	76BHAO-L
X-Large	43"-52"	30"	76HAO-XL-L	76HAO-XL-R	76BHAO-XL

Abduction Bar

- Provides adjustable abduction and adduction control for post surgical hip conditions or Legg Perthes disease
- Nylon ball-and-socket joints duplicate the anatomical motion of the hip during restricted ambulation
- Neoprene liner prevents the brace from migrating on the legs



Size	Mid-Thigh Circum.	Cuff Height	Product No.	
			Narrow Bar	Wide Bar
Pediatric	12"-18"	3 ¹ / ₂ "	26AB-P-N	26AB-P-W
Pediatric X-Narrow	8 ¹ / ₂ "-13"	3 ¹ / ₂ "	—	26AB-P-XN
Adult	17"-25"	6 ¹ / ₂ "	26AB-A-N	26AB-A-W
Adult X-Wide	16"-23"	6 ¹ / ₂ "	—	26AB-A-XW

Hip
Orthoses

The Hip Stabilizer

- Provides abduction and rotation control for hip dislocations, replacements, revisions and fractures
- 15° hip abduction with adjustable flexion, extension motion control settings
- Adjusta-Belt back panel accommodates a wide range of sizes
- Bilateral or unilateral hip stabilization; Interchangeable right or left

Size	Circumference		Product No.		
	Hip	Max. Thigh	Left	Right	Bilateral
Pediatric	16"-23"	19 ¹ / ₂ "	66HS-P-L	66HS-P-R	66BHS-P
Small	24"-33"	27"	66HS-S-L	66HS-S-R	66BHS-S
Medium	34"-49"	30"	66HS-M-L	66HS-M-R	66BHS-M
Large	50"-68"	33"	66HS-L-L	66HS-L-R	66BHS-L



Sky Medical - Stock Saver

- Unique universal abduction hip brace is designed for the treatment of post-operative primary or revision hip arthroplasty and non-operable hip disorders
- Pelvic section has a pivoting back panel that accommodates male and female anatomies

Pelvic Section	
Waist Measurement	Product No.
26"-32"	HIP-UP-S
32"-38"	HIP-UP-M
38"-44"	HIP-UP-L
44"-50"	HIP-UP-XL
Thigh Section	
Mid-Thigh Measurement	Product No.
17"-21"	HIP-UT-S
20"-24"	HIP-UT-M
23"-27"	HIP-UT-L
26"-30"	HIP-UT-XL
Accessories	
Description	Product No.
Joint	HIP-JNT-INFINITY-SS



Truform - 531 - Spring Truss with Inguinal Pad

- Steel spring, rust proof, covered with 1" synthetic leather sleeve
- Plated steel shank with 1" long slot to allow for pad adjustment
- 1³/₄" elastic band with adjustable keyhole buckle - infinite adjustment form maximum comfort
- Even hip sizes: 30"-44", left and right
- Replace 1st ? with Right (R) or Left (L)
- Replace 2nd ? with hip measurement

Product No. **0531/?-?**



Double Spring Truss

- Two steel springs covered with 1" synthetic leather sleeves, joined together by a tapered back pad (#198), 7" x 2¹/₂" at apex
- Allows for circumferential adjustment and lateral pad placement
- Two #394 inguinal pads with universal adjustment fixture and synthetic leather covering
- Two #59 plated steel shanks



Size	Product No.
30	0352-30
32	0352-32
34	0352-34
36	0352-36
38	0352-38
40	0352-40
42	0352-42
44	0352-44

Trulife - Orthoguard Hip Orthosis

- Low profile hip orthosis
- 10°-90° of flexion adjusts in 10° increments
- Holds leg at 20° abduction
- Thigh section and pelvic control belt are adjustable circumferentially to fit most thigh and waist sizes
- Distal thigh circumference is 2" above knee

Indications: Post-surgical care of patients with complex hip fracture, femoral fracture or fracture associated with hip arthropathy; Total hip replacement or hip revision

Size	Distal Thigh Circumference	Product No.	
		Left	Right
Small	12 ¹ / ₄ "-14 ¹ / ₄ "	8200D	8204D
Medium	14 ¹ / ₂ "-17"	8201D	8205D
Large	17"-20"	8202D	8206D



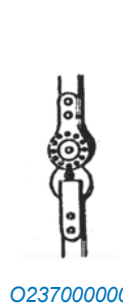
Hip Orthoses

Universal Hip Orthosis

- Circumferential adjustment accommodates men and women
- Hip joint controls abduction/adduction and flexion/extension
- Linear, anterior and posterior adjustability built into thigh cuffs
- Note: Must be ordered with one of the hip joint options

Indications: Post-surgical care of patients with complex hip fracture, femoral fracture or fracture associated with hip arthropathy; Total hip replacement or hip revision; Hip dislocation; Subluxation

Pelvic Section			
Size	Hip Development	Product No.	
		Standard	Low Profile
Small	24"-41"	JS-940-S	JS-940-S-LP
Medium	31"-48"	JS-940-M	JS-940-M-LP
Large	38"-55"	JS-940-L	JS-940-L-LP
X-Large	45"-60"	JS-940-XL	JS-940-XL-LP
Femoral Section			
Size	Circumference		Product No.
	Proximal	Distal	
Small	17"-21"	13"-17"	JS-941
Medium	20"-24"	15"-18"	JS-942
Large	23"-27"	17"-20"	JS-943
X-Large	26"-30"	19"-22"	JS-944
Hip Joint Options			
Description			Product No.
USMC-MAO Joint, 3/4" Bar, Universal			O237000000
Hip Tracker			JS-900



O237000000



JS-900